

RAND.PV

DC Disconnect 1500VDC/400A

Customizable Per Project Installation Design

Part Number: DCD-1500V400A-R1

Product Capacity: 1500VDC/400A

Product Dimensions (mm):
600x490x180

Steel Box Finish:
Plastic Powder Coat for
Added Ruggedness & UV Protection

Steel Box Protection:
Lockable Latches, Air Breather
Interface (SYFM12*1.5), IP67

Steel Box Mounting Pattern:
4 Mounting slots, 470x520

DC Isolation Switch: BH-400/2P
DC1500V 400A (UL98B)

Rated Impulse Withstand
Voltage (Uimp): 12kV

Rated Short-Circuit Withstand
Current 1s (Icw): 10kA

Rated Short-Circuit Making
Capacity (Icm): 10kA

Rated Conditional Short-Circuit
Current: 10kA

DC Switch Activation:
External Handle w/lever and shaft

Surge Protection (SPD):
BUD-1500/3P DC1500V

Fuse Links:
YRPV-400D 400A DC1500V

Fuse Link Holders:
NH2XL 400A DC1500V

Plated Copper BusBar:
400Amin for Each polarity

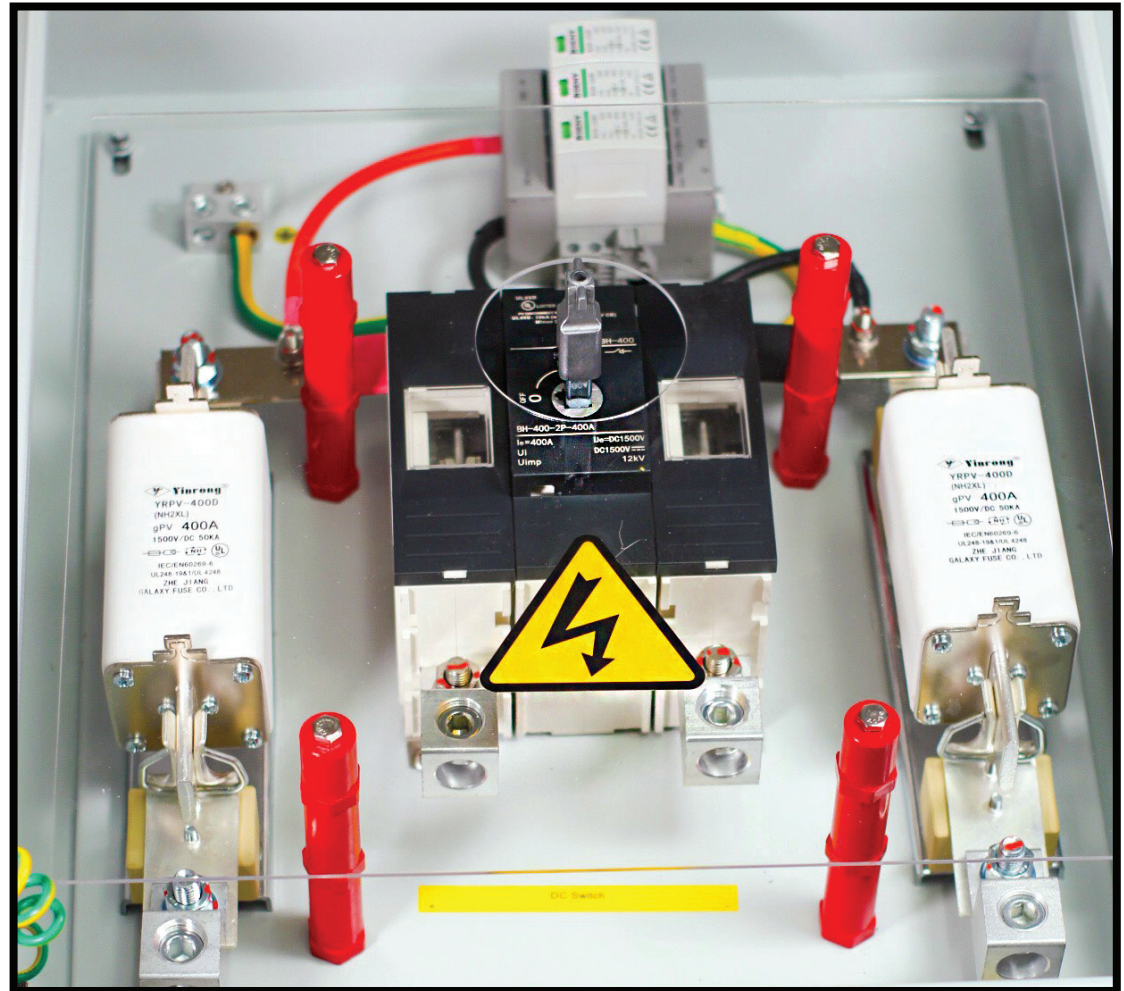
Ground Block:
Triple Ground Block

Output Cable Size:
2x10mm M10 Torqued to
15Nm~20Nm (IEC 60947-1)

Input/Output Cable Glands:
2xM40 23~32mm Sealing Range

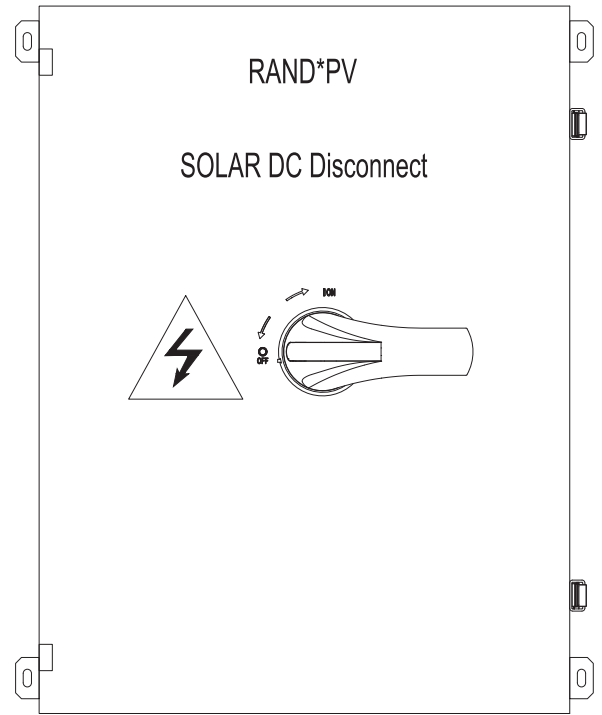
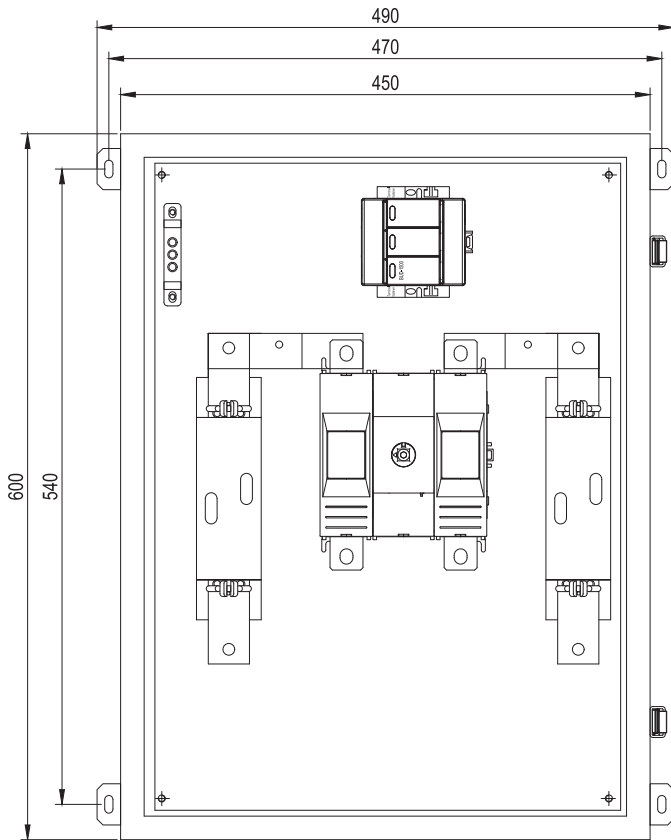
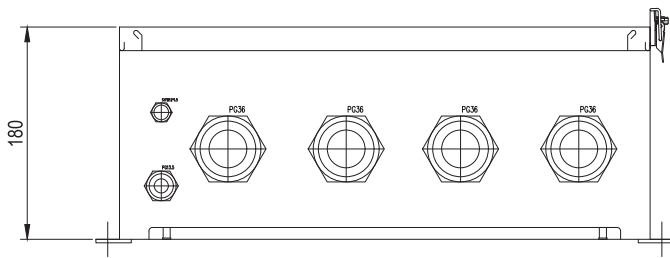
UL Certifications:

Pending Certification: New-QIIO-PV
Disconnect Box to UL-1741



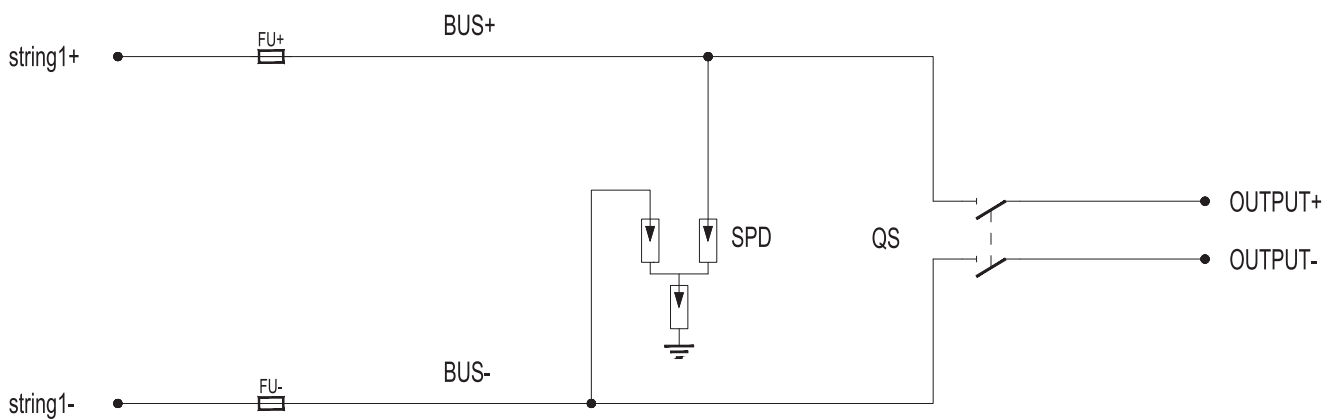
Enclosure Meets IP55, IP56, IP65, IP66, and IP67 certifications. Manufactured in accordance to ISO 14001, ISO 45001, ISO 9001, NABCEP, UL 1703, UL 1741.

RAND Energy, LLC guarantees the highest quality materials and craftsmanship while offering a limited 3 year or an optional 5 year warranty.
Note: This warranty excludes consumable materials, such as fuses, fuse links, SPD thermo-elements.



number	label	The name of the	specifications	quantity	note
3		Vent Valve	SYFM12*1.5	1	
2		CABLE GLAND	PG36 SEALING RANGE 23-32mm	4	
1		CABLE GLAND	PG13.5 SEALING RANGE 6.7-12mm	1	

The contract no.	Cabinet No.	Factory number
	RAND PV 1 Strings In/1 String Out, dual polarity protection, Steel PV Disconnect Box	PV400A-001
tag	Change the file no.	The signature
design	standardized	The date of
drawing	Review and approval	
check	approval	
process	The date of	
Arrangement diagram		Pattern marker
		The proportion
		RAND PV
		RAND ENERGY



number	label	The name of the	specifications	quantity	note
4		DC Fuse Link	YRPV-400D 400A DC1500V	2	
3	FU	DC Fuse Holder	NH2XL 400A DC1500V	2	
2	QS	DC Switch	BH-400/2P In=400A DC1500V	1	
1	SPD	SPD	BUD-1500 DC1500V	1	

The contract no.	Cabinet No.	Factory number
	RAND PV 1 Strings In/1 String Out, dual polarity protection, Steel PV Disconnect Box	PV400A-001
tag	Change the file no.	The signature
design	standardized	The date of
drawing	Review and approval	
check	approval	
process	The date of	
Schematic diagram		Pattern marker
		The proportion
		RAND PV
		RAND ENERGY