

RAND·PV

RAND PV Combiner Box 12 Strings In/1 String Out, Dual Polarity Protection, Steel PV Combiner Box

Customizable Per Project Installation Design

Part Number: **CBV-2P-12L30A-R1**

Product Capacity: **1500VDC/400A**

Enclosure: **NEMA 4X Rated**

Product Dimensions (mm):

810x500x200

Steel Box Finish:

Plastic Powder Coat for Added Ruggedness & UV Protection

Steel Box Protection:

Lockable Latches, Air Breather Interface (SYFM12*1.5), IP67

Steel Box Mounting Pattern:

4 Mounting slots, 786x420

DC Isolation Switch: **BH-400/2P**

DC1500V 400A (UL98B)

Rated Impulse Withstand

Voltage (Uimp): **12kV**

Rated Short-Circuit Withstand

Current 1s (Icw): **10kA**

Rated Short-Circuit Making

Capacity (Icm): **10kA**

Rated Conditional Short-Circuit

Current: **10kA**

DC Switch Activation:

External Handle w/lever and shaft

Surge Protection (SPD):

BUD-1500/3P DC1500V

Fuse Links:

OSPV-30L Inti30A DC1500V

Fuse Link Holders:

NH2XL 400A DC1500V

Plated Copper BusBar:

400Amin for Each polarity

Ground Block: **Dual Ground Block**

Output Cable Size:

2x10mm M10 Torgued to 15Nm~20Nm (IEC 60947-1)

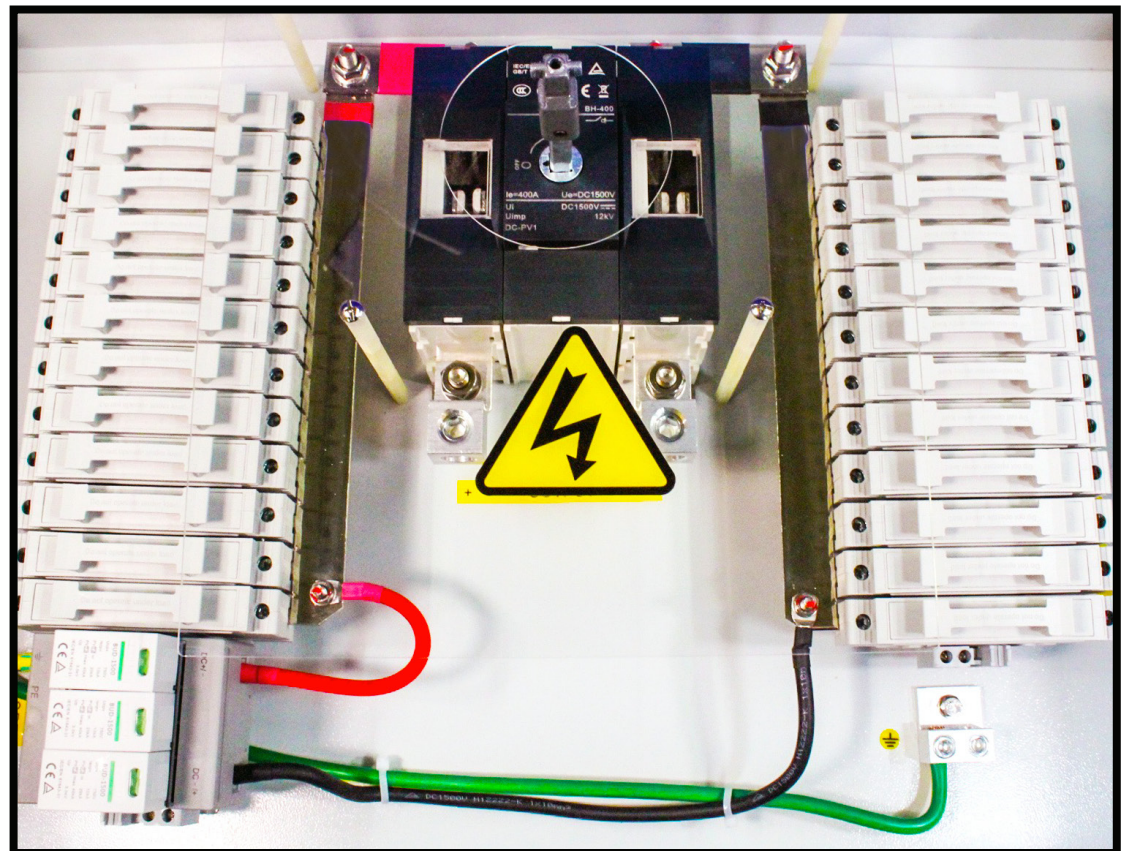
Input/Output Cable Glands:

2xM40 23~32mm Sealing Range

UL Certifications:

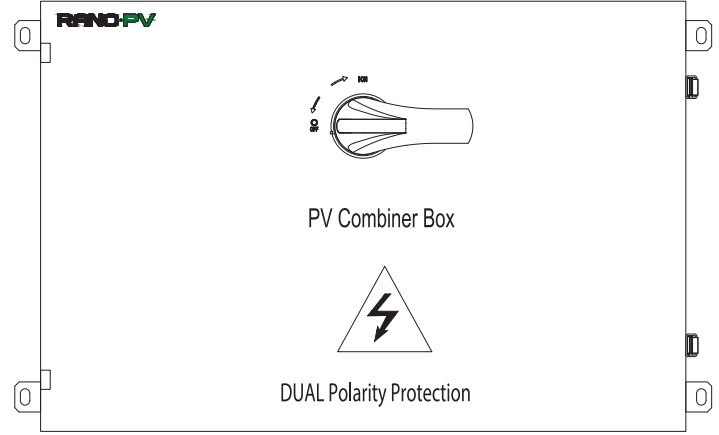
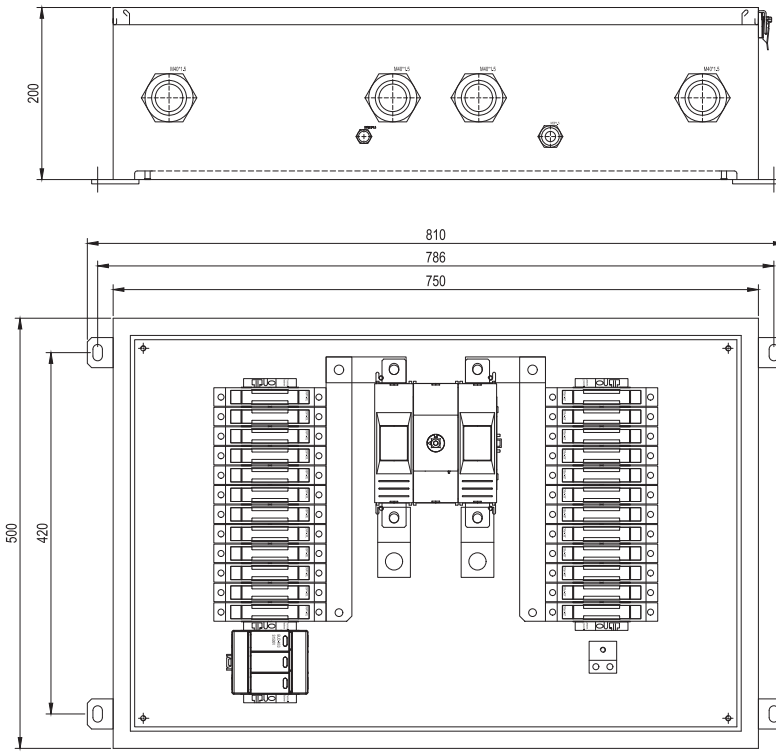
Pending Certification: New-QIIO-PV

Disconnect Box to UL-1741



Enclosure Meets IP55, IP56, IP65, IP66, and IP67 certifications. Manufactured in accordance to ISO 14001, ISO 45001, ISO 9001, NABCEP, UL 1703, UL 1741.

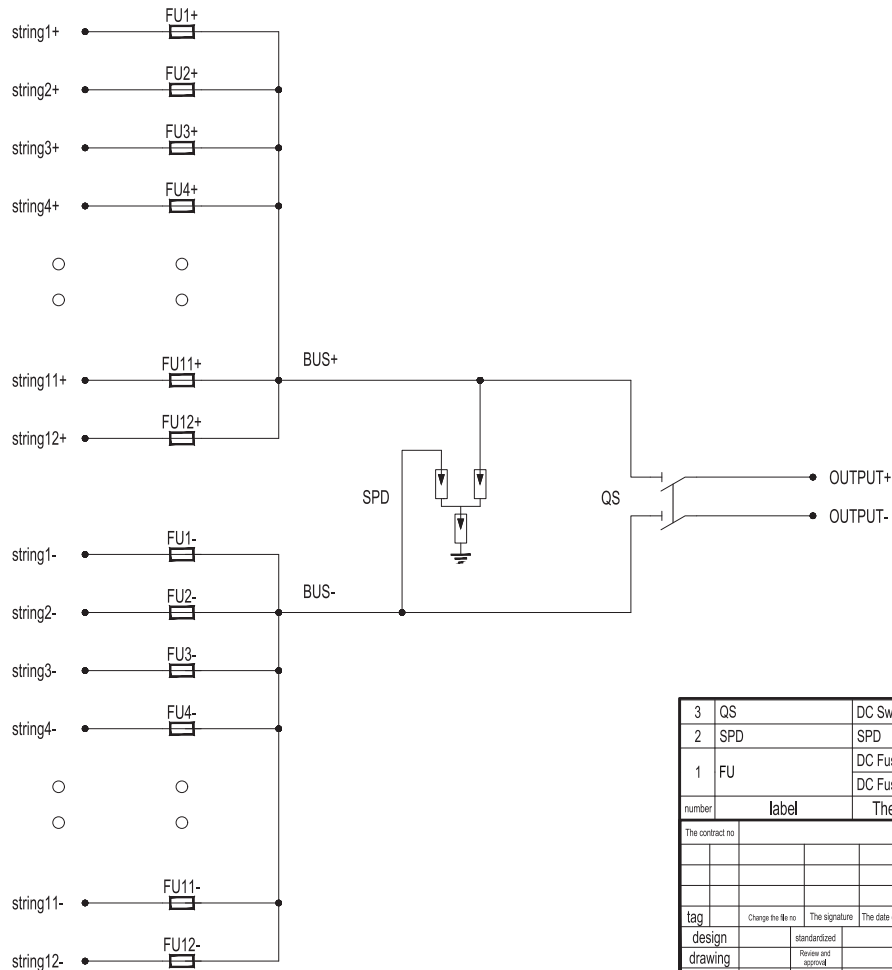
RAND Energy, LLC guarantees the highest quality materials and craftsmanship while offering a limited 3 year or an optional 5 year warranty.
Note: This warranty excludes consumable materials, such as fuses, fuse links, SPD thermo-elements.



		The contract no	Tank no		Factory number	
3	Vent Valve	SYFM12*1.5	1			
2	CABLE GLAND	M20 SEALING RANGE 6.7-12mm	1			
1	CABLE GLAND	M40 SEALING RANGE 23-32mm	4			
number	label	The name of the	specifications	quantity	note	

tag	Change the file no	The signature	The date of		
design		standardized			
drawing		Review and approval			
check		approval			
process		The date of			

		Tank no	Factory number	
		RAND PV 12-Strings In/1 String Out, Dual Polarity Protection, Steel PV Combiner Box		
		Arrangement diagram	Pattern marker	The proportion
			RAND PV RAND ENERGY	



		Tank no	Factory number		
3	QS	DC Switch	BH-400/2P DC1500V	1	
2	SPD	SPD	BUD-1500/3P DC1500V	1	
1	FU	DC Fuse Link	OSPV-30L In=30A DC1500V	24	
		DC Fuse Holder	OSPV-30L Imax=30A DC1500V	24	
number	label	The name of the	specifications	quantity	note

tag	Change the file no	The signature	The date of		
design		standardized			
drawing		Review and approval			
check		approval			
process		The date of			

		Tank no	Factory number	
		RAND PV 12-Strings In/1 String Out, Dual Polarity Protection, Steel PV Combiner Box		
		Schematic diagram	Pattern marker	The proportion
			RAND PV RAND ENERGY	